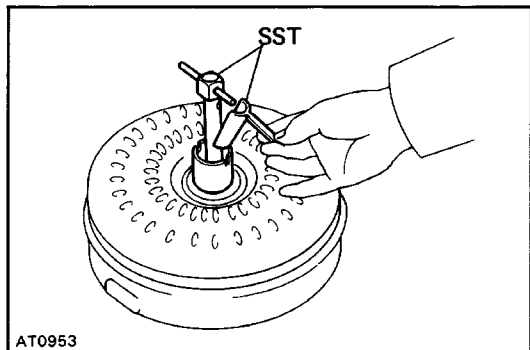
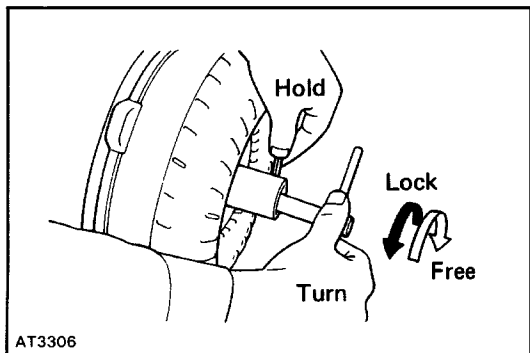


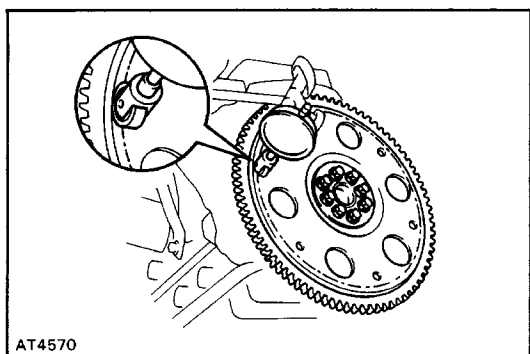
AT0952



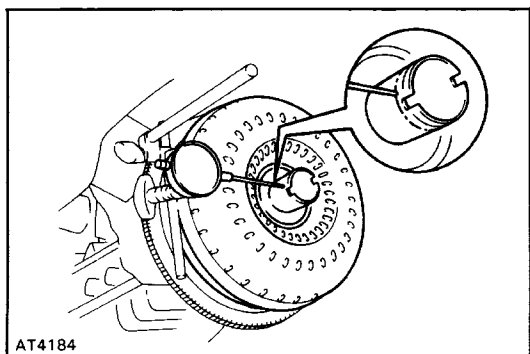
AT0953



AT3306



AT4570



AT4184

# TORQUE CONVERTER CLUTCH AND DRIVE PLATE

## INSPECTION OF TORQUE CONVERTER CLUTCH AND DRIVE PLATE

### 1. INSPECT ONE-WAY CLUTCH

- (a) Install SST into the inner race of the one-way clutch.  
SST 09350-30020 (09351-32010)
- (b) Install SST so that it fits in the notch of the converter hub and outer race of the one-way clutch.  
SST 09350-30020 (09351-32020)
- (c) With the torque converter clutch standing on its side, the clutch locks when turned counterclockwise, and rotates freely and smoothly clockwise. If necessary, clean the converter and retest the clutch.  
Replace the converter if the clutch still fails the test.

### 2. MEASURE DRIVE PLATE RUNOUT AND INSPECT RING GEAR

Set up a dial indicator and measure the drive plate runout.

If runout exceeds 0.20 mm (0.0079 in.) or if the ring gear is damaged, replace the drive plate. If installing a new drive plate, note the orientation of spacers and tighten the bolts.

**Torque: 83 N-m (850 kgf-cm, 61 ft-lbf)**

### 3. MEASURE TORQUE CONVERTER CLUTCH SLEEVE RUNOUT

- (a) Temporarily mount the torque converter clutch to the drive plate. Set up a dial indicator.  
If runout exceeds 0.30 mm (0.0118 in.), try to correct by reorienting the installation of the converter. If excessive runout cannot be corrected, replace the torque converter clutch.

**HINT:** Mark the position of the converter to ensure correct installation.

- (b) Remove the torque converter clutch.