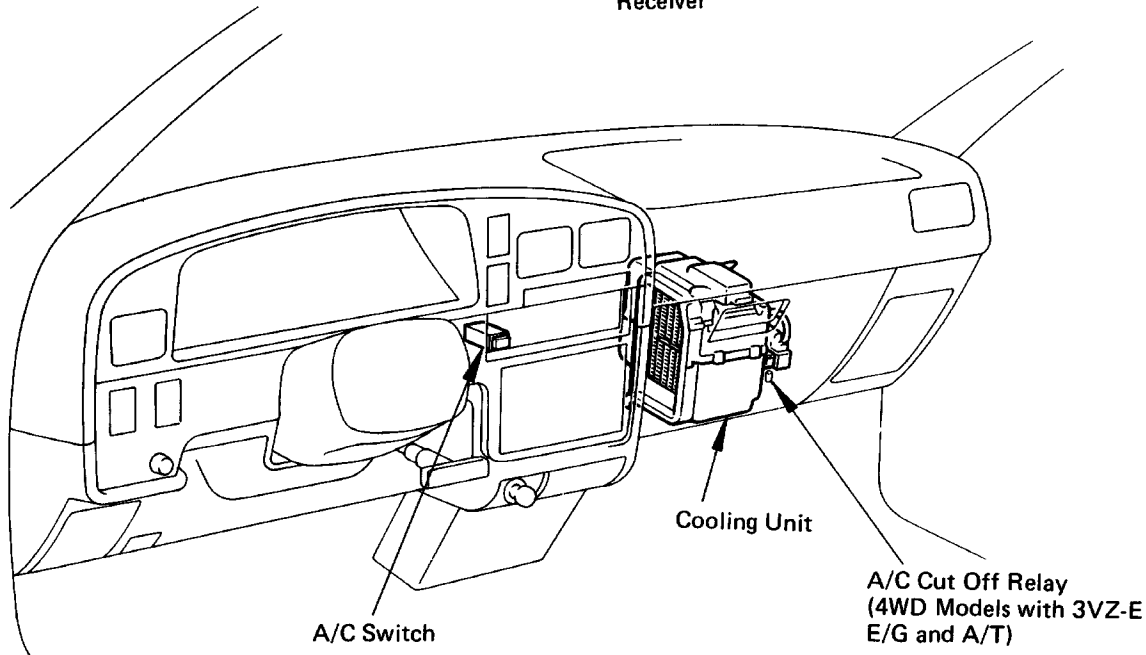
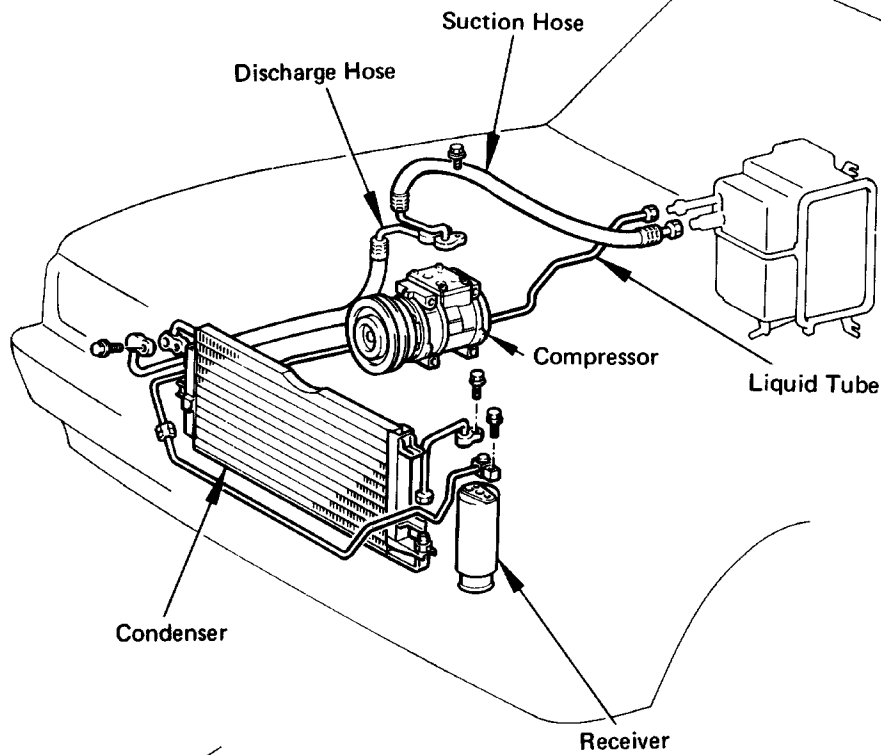


SYSTEM COMPONENTS



Specified Torque N·m (kgf·cm, ft·lbf)

	0.31 in. Tube	14 (140, 10)
	0.50 in. Tube	23 (230, 17)
	0.62 in. Tube	32 (330, 24)
Bolted Type	For Compressor	25 (250, 18)
	For Condenser	13 (130, 9)
	For Receiver	5 (55, 48 in.·lbf)